

B&B DENTAL
implant company



PROSTHETIC PROCEDURES

BASIC INFO

DURAVIT IMPLANT LINES
3P - EVOLUTION - WIDE

CASTABLE ABUTMENT - PLEXIGLASS

INTENDED USE

- Cement-retained bridges via mesostructure (custom abutment technique)

CHARACTERISTICS

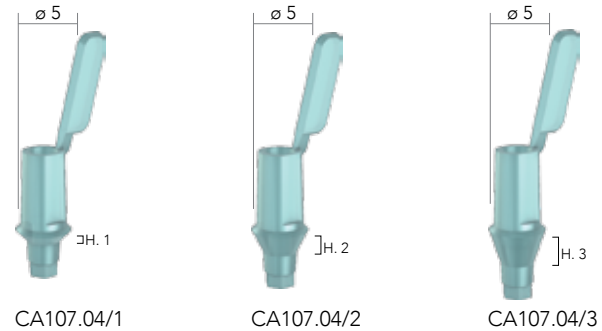
- Easy wax-up and protection of the screw channel due to modelling aid (burn-out polymer)
- Easy-to-achieve esthetics due to individual contouring of the emergence profile and adaptation to the margin of the gingival contour
- Superfluous cement easily removable by raising the cement margin using an individually designed mesostructure

IMPORTANT NOTE

- The use of castable abutments for " Duravit implant system" is not advisable, due to the difficulty to obtain a perfect conical fitting between the implant and the cast abutment.
- Use the castable abutment only in cases of extreme disparallelism.
- Do not use for single crowns.

PLEXIGLASS STRAIGHT ABUTMENTS

Complete with Prosthetic Screw



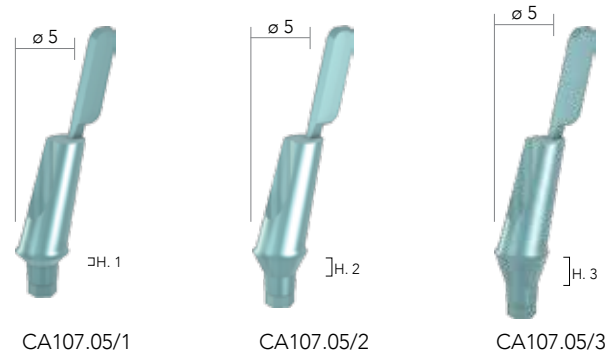
CA107.04/1

CA107.04/2

CA107.04/3

PLEXIGLASS 15° ANGLED ABUTMENTS

Complete with Prosthetic Screw



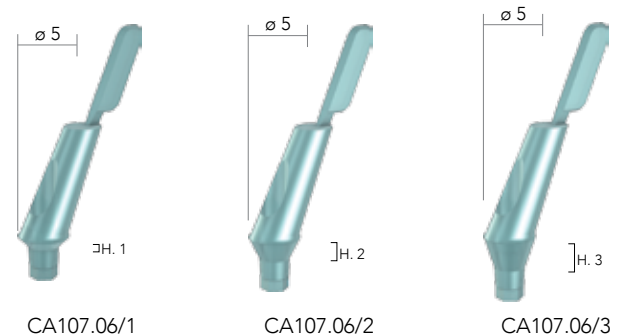
CA107.05/1

CA107.05/2

CA107.05/3

PLEXIGLASS 25° ANGLED ABUTMENTS

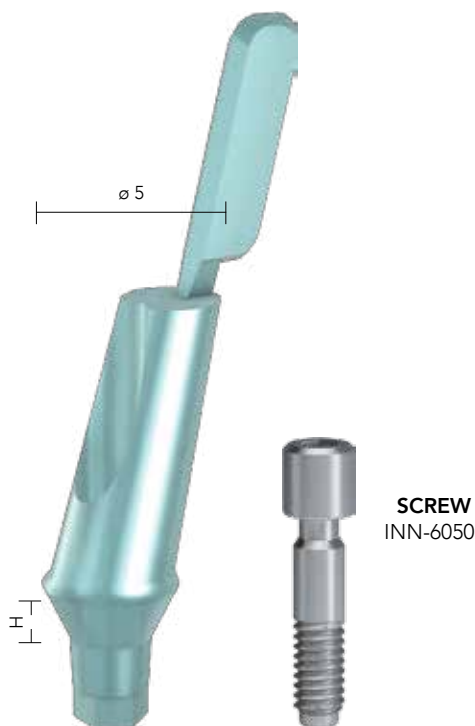
Complete with Prosthetic Screw



CA107.06/1

CA107.06/2

CA107.06/3



TIGHTENING:

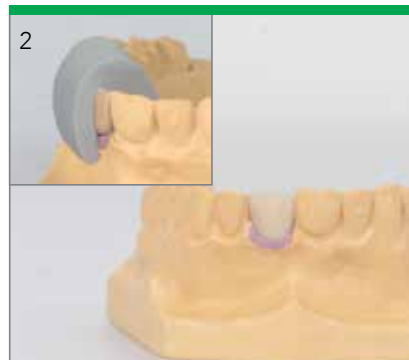


the prosthetic screw using the 1.25 Hex Screwdriver and Torque Wrench. Recommended torques for final seating 25 Ncm



1

Fabricate the master cast including a gingival mask.



2

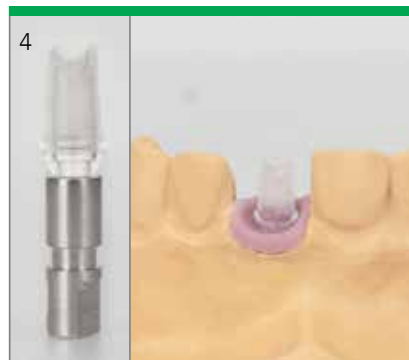
For optimal esthetic planning, model a full anatomical wax-up.

Make a silicone key over the full wax-up in order to define the optimal shape of the abutment.



3

Place the pre selected abutment inside the analog.



4

Modify the abutment as required.



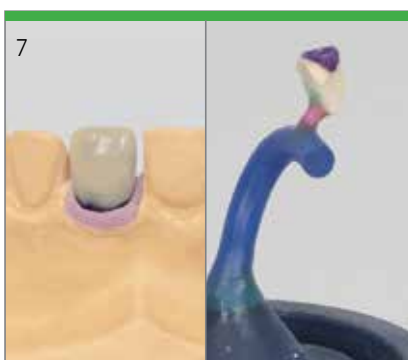
5

Invest the customized abutment.



6

Sandblast the modified abutment.



7

Wax an individual resin cap onto the abutment.

Investment of the resin cap.

Cast the framework in the conventional manner.



8

Sandblast the metal crown in order to create a mechanical attach with the veneer.

Veneer the superstructure.